

PRODUCT INFORMATION PACKET

Model No: 5KH39QN9703T

Catalog No: 4738

1/3 HP Fan and Blower HVAC/R Motor, 1 phase, 1800 RPM, 230 V, 48Y Frame, ODP
Belt Drive Motors



Regal and Marathon are trademarks of Regal Beloit Corporation or one of its affiliated companies.
©2020 Regal Beloit Corporation, All Rights Reserved. MC017097E

REGAL

Nameplate Specifications

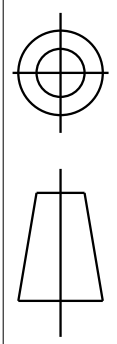
Output HP	0.33 Hp	Output KW	0.25 kW
Frequency	60 Hz	Voltage	230 V
Current	3.1 A	Speed	1725 rpm
Service Factor	1.35	Phase	1
Efficiency	55.9 %	Power Factor	0
Duty	Continuous	Insulation Class	B
KVA Code	R	Frame	48Y
Enclosure	Drip Proof	Thermal Protection	AUTO
Ambient Temperature	40 °C	Drive End Bearing Size	6203
Opp Drive End Bearing Size	6203	UL	Recognized
CSA	Yes	CE	N

Technical Specifications

Electrical Type	Split Phase	Starting Method	SM
Poles	4	Rotation	Counterclockwise/Clockwise
Mounting	Resilient Rings	Motor Orientation	ANY
Drive End Bearing	BALL	Opp Drive End Bearing	Ball
Frame Material	Rolled Steel	Overall Length	10.3 in
Frame Length	5.41 in	Shaft Diameter	0.500 in
Shaft Extension	1.5 in	Thru-bolts Extension	0 in
Outline Drawing	52A106996P2	Connection Drawing	52A105379AA

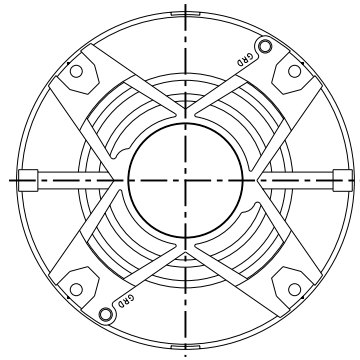
This is an uncontrolled document once printed or downloaded and is subject to change without notice. Date Created:03/11/2020

THIRD ANGLE PROJECTION

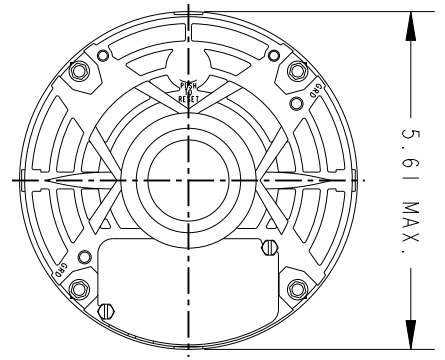


REVISIONS

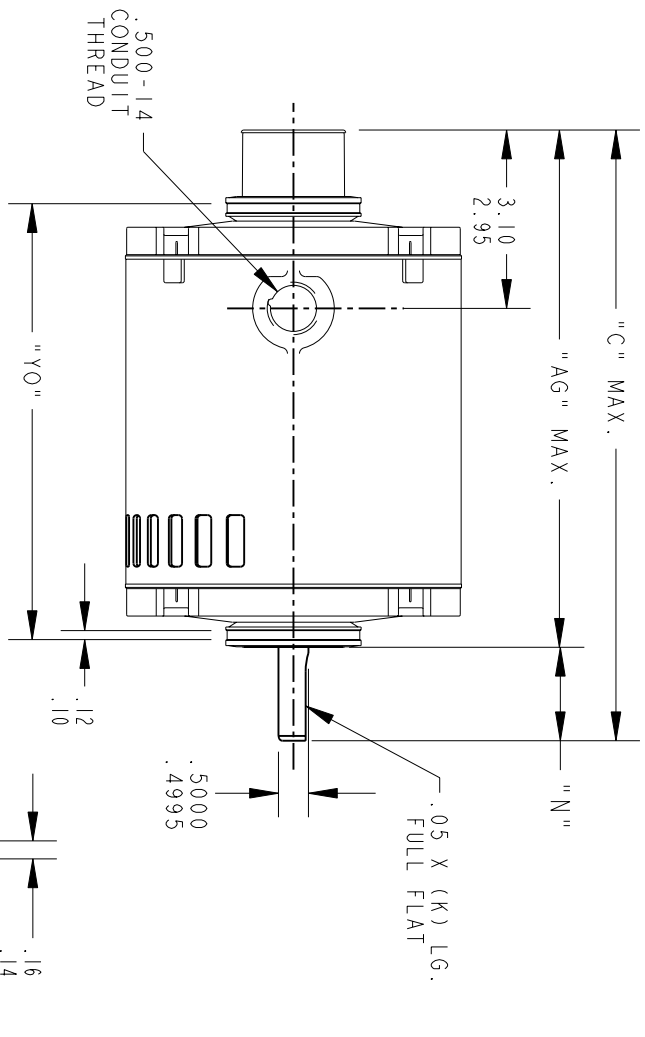
REV.	DESCRIPTION	DATE	APPROVED
1	CHANGED TO BALL/SLV.	02/11/94	M.A.M.
2	REV. SHELL VENTS	11/04/94	M.A.M.
3	CHG TO RBC FORMAT PER IS05-1777	02/16/06	SUDHA



VIEW SHOWING P.E. VENTILATION OPENINGS



5.61 MAX.



P	TYPE	GE SIZE	NEMA FR	"C"	"AG"	"YO"	"N"	"K"
3	KH	35	48Y	10.66	9.04	8.79	1.58	1.16
2	KH	33	48Y	10.28	8.66	8.41	1.58	1.16
1	KH	32	48Y	10.03	8.41	8.16	1.58	1.16

SIGNATURES

MODEL MAM DATE 01/24/90

DETAIL

CHECKED

ENGRG

MFG

QUALITY

ISSUED

MAM 01/24/90

SOLID MODEL: 52A106996



REGAL-BELOLT CORPORATION

TITLE

PDQ MOTOR - DRIP PROOF - RESIL. BASE - BALL/SLV. BRG. (5KH39QN9696X)

OUTLINE

SIZE A DRAWING

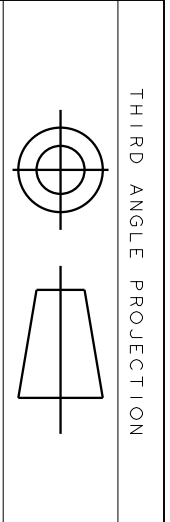
SCALE: 0.250 REF. No.

52A106996

REV 3

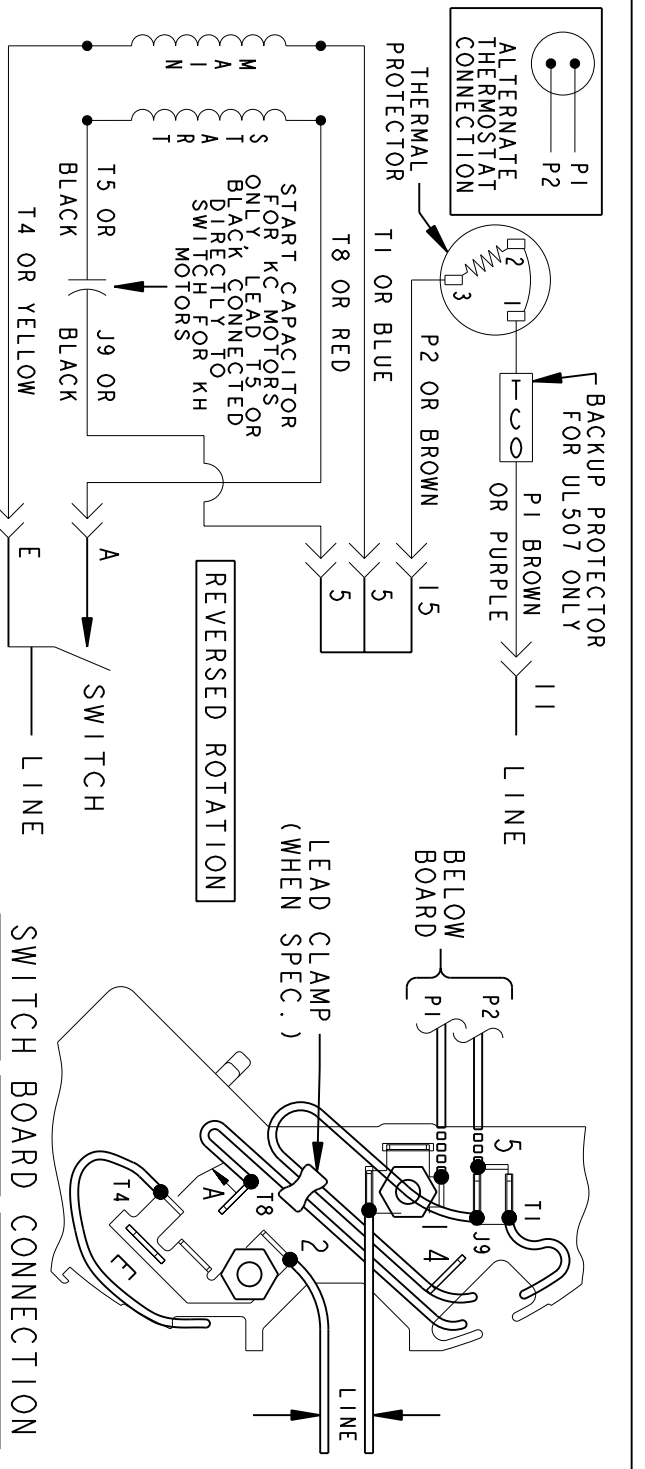
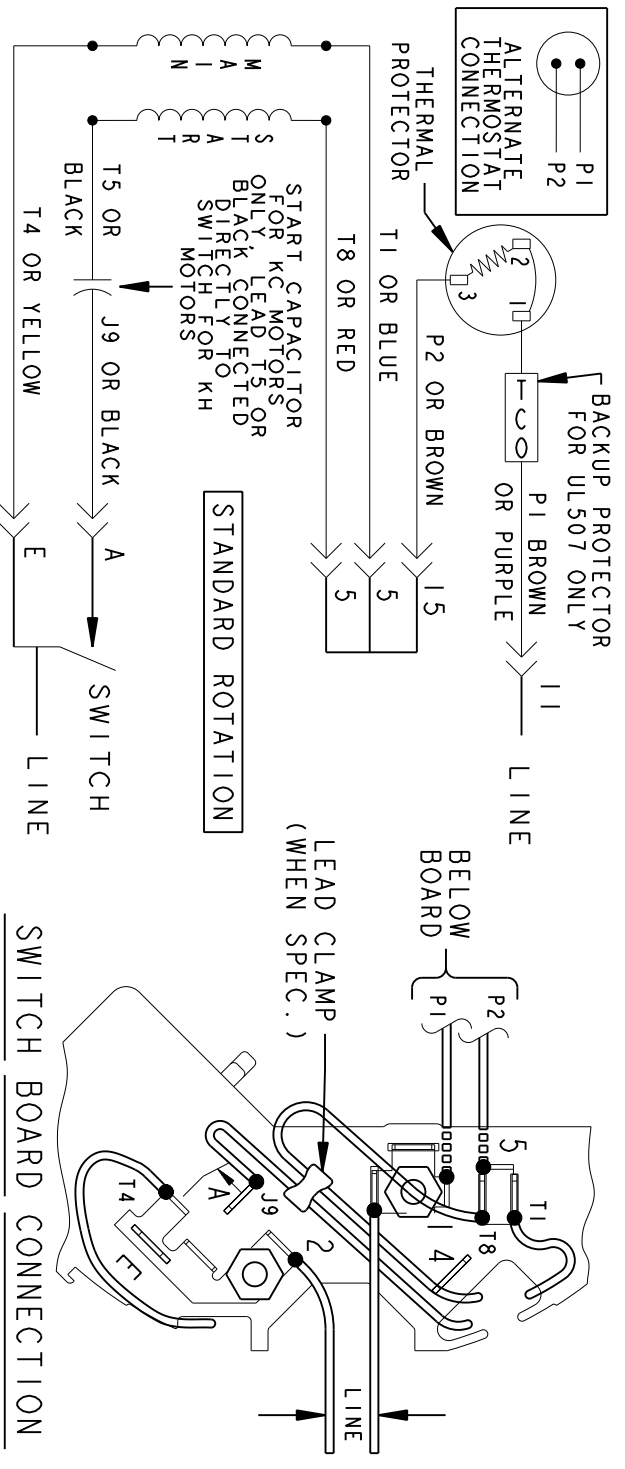
MATERIAL

SHEET 1 of 1



REV.	DESCRIPTION	DATE	APPROVED
6	UPDATED FORMAT	12/01/05	MAM

EITHER ROTATION-SINGLE VOLTAGE-TYPE KC OR KH-WITH THERMAL PROTECTOR



NOTE #1 - TO REVERSE ROTATION INTERCHANGE RED (T8) AND BLACK (J9-KC OR T5-KH) LEADS.
 NOTE #2 - WHEN MORE THAN ONE CAPACITOR IS USED CONNECT IN PARALLEL.

SWITCH (C) - 115D958AB REF. DIAG. - 121A851 CONN. LABEL - 52X332048

SIGNATURES	DATE
MODEL M.D.PAPE	06/29/87
DETAIL	
CHECKED	
ENGRG	
MFG	
QUALITY	
ISSUED	M.D.P. 03/08/00
SOLID MODEL: 52A105379AA	

REGAL-BELOIT CORPORATION

REGAL-BELOIT

CONNECTION DIAGRAM

FMF - 30 FR SWITCH REDESIGN

SCALE: 1.000 REF. No.:

52A105379AA

REV 6